

RDCM-A Economic Type Controller

Summary

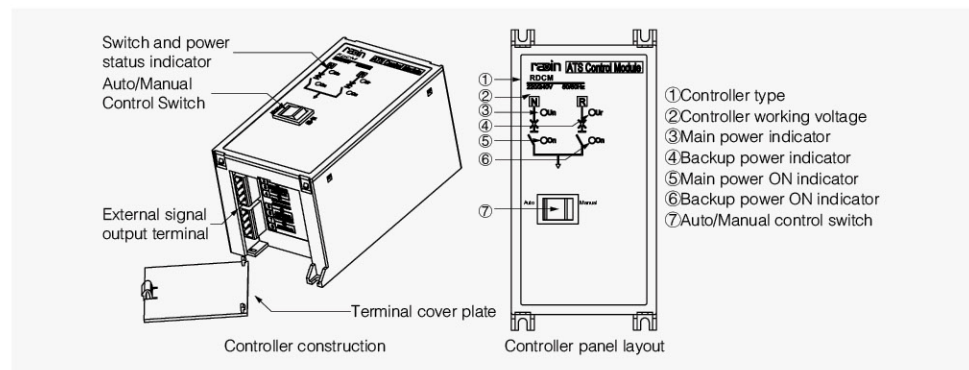
This controller is a simple controller we developed as per to market demand, have the features of simple operation, suitable functions and display intuitive etc., this controller have advantages of stable quality, reliable performance, high anti electromagnetic interference ability etc., widely used in various kind of severe environment with strong electromagnetic radiation and interference.



Technical Data

| | | | |
|----------------|--------------------|-------------------|-------------------------------|
| Working Power | AC150-260V 50/60Hz | Installation Mode | Integral |
| Power Loss | ≤20W | Working Position | Two positions |
| Ambient temp | -20°C ~+60°C | Operation mode | Auto and Manual |
| Transfer delay | Fixed 0.5s | Transfer mode | Auto change and Auto recovery |
| Recovery delay | Fixed 0.5s | Display mode | LED indicator |

Structure Features



Terminals And Wiring Instruction

