

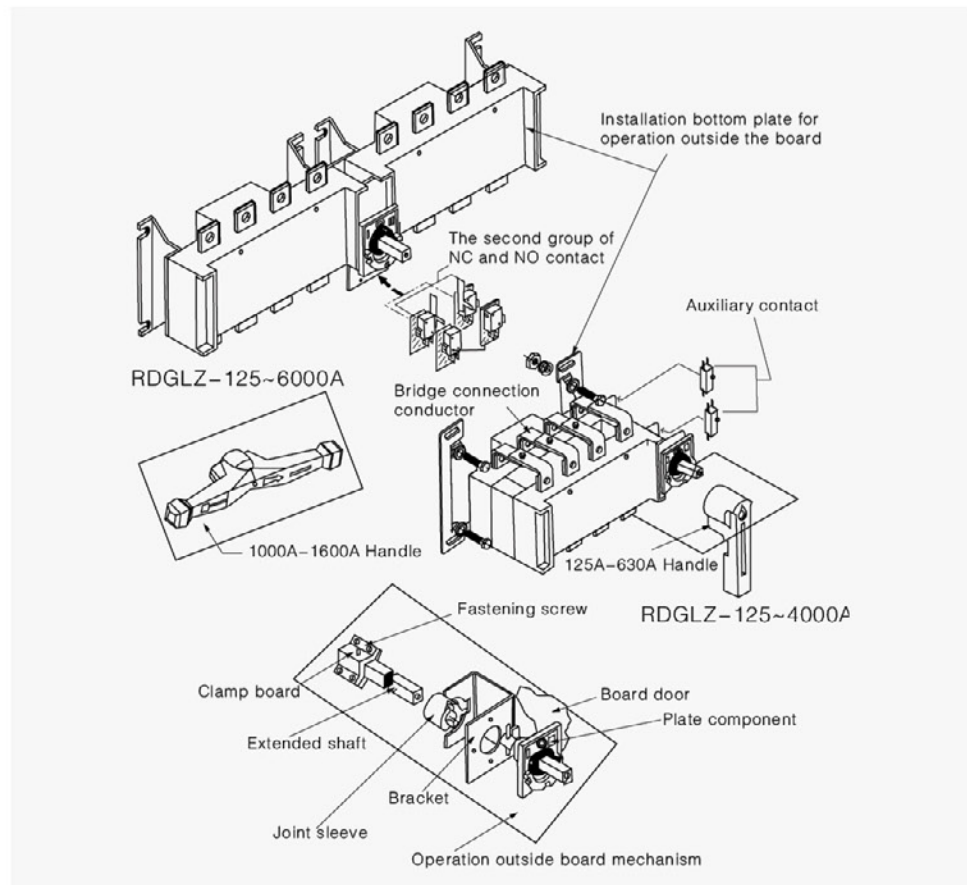
RDGLZ Series (Changeover)

RDGLZ-125-3150A Changeover Load Isolation Switch



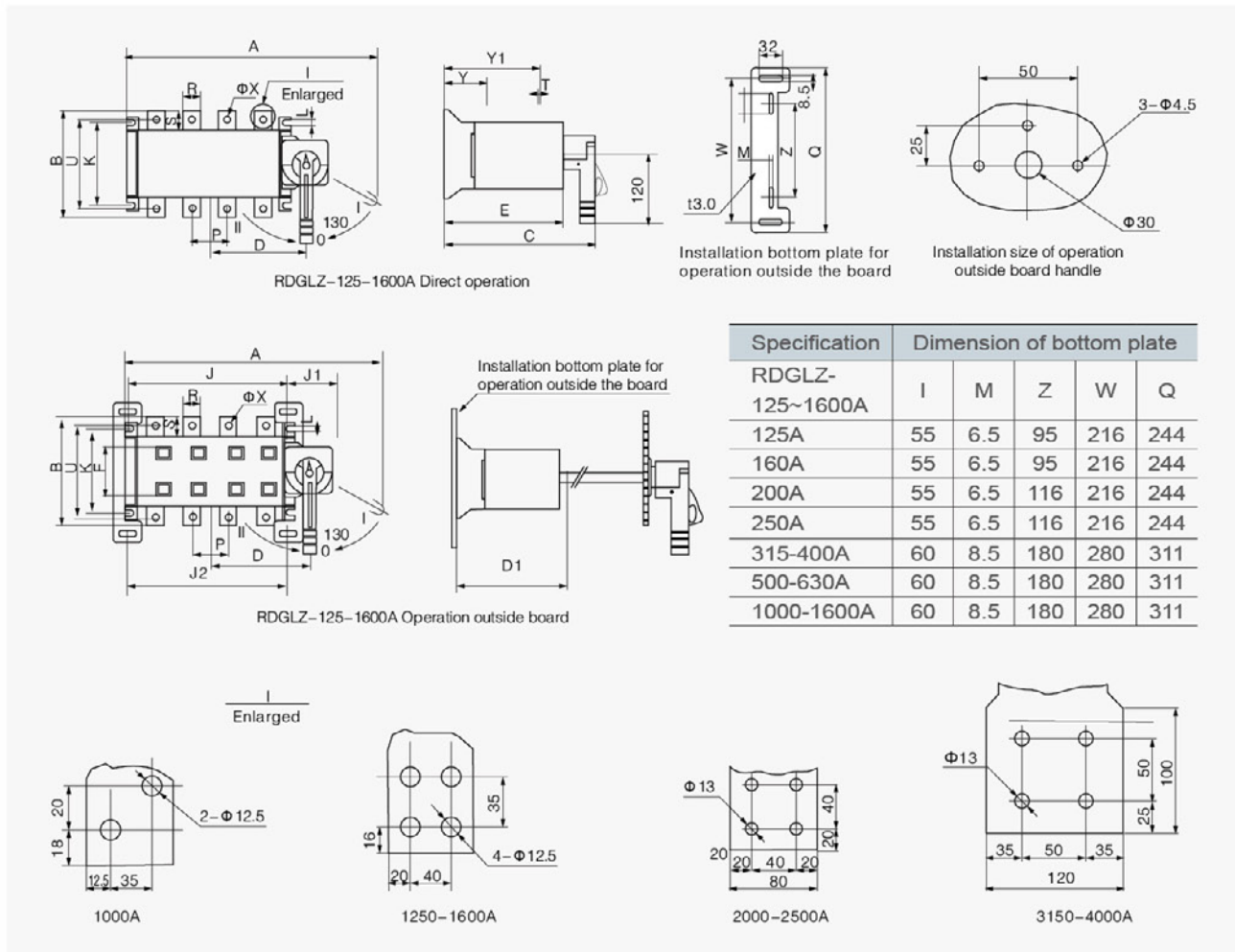
- RDGLZ-125-3150A is applied to changeover two groups of low voltage electric circuit or two groups of load devices or safety isolation.
- Mode of operation:
 Direct operation: handle is installed on the switch
 Operation outside: handle is installed outside the door of power distribution board.
- The product with observation window can be provided according to the demand to observe directly the on and off state of contact.
- It have three poles and four poles (three poles + on and off neutral pole)
- Two groups of auxiliary contacts can be assembled.
- Extended shaft is used for the operation outside the board.
- Mechanical performance and electrical performance are correspond to RDGL-125A-3150A property.
- The bridge connecting conductor can provided to connect the inlet or outlet terminals of the switch.

Note: The bridge connection is chosen, and it need to indicate the inlet or outlet connection with it.



RDGLZ Series (Changeover)

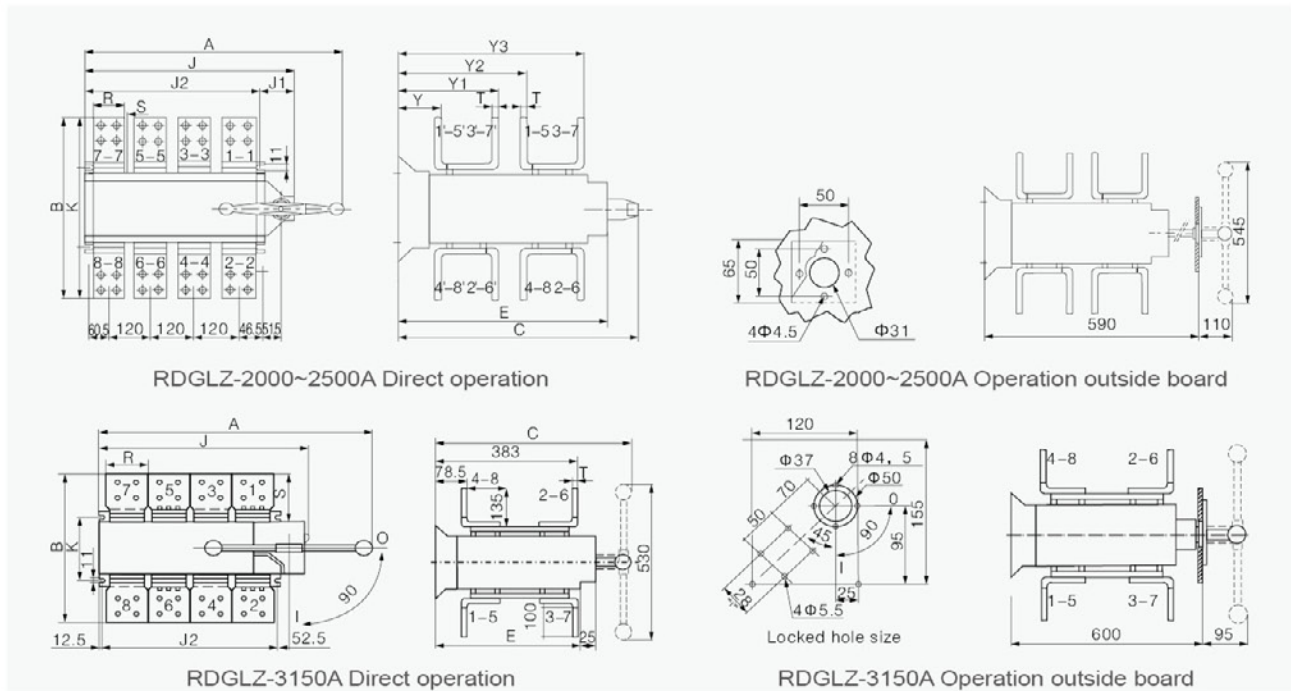
RDGLZ-125-1600A Overall And Mounting Size Of Changeover Load Isolation Switch



Specification	Overall and mounting dimensions																				
	A	B	C	D	D1	E	J	J1	J2	K	L	P	R	S	T	U	Φ X	Y	Y1	F	
RDGLZ-125~630A																					
125A-160A/3	270	135	212	89	195	150	120	65	120	95	7	36	20	25	3.5	115	9	55	121	59	
125A-160A/4	300	135	212	104	195	150	150	65	150	95	7	36	20	25	3.5	115	9	55	121	59	
200A-250A/3	307	170	260	110	215	172	160	65	160	115	11	50	25	30	3.5	140	11	70	140	76	
200A-250A/4	357	170	260	135	215	172	210	65	210	115	11	50	25	30	3.5	140	11	70	140	76	
315A-400A/3	372	240	297	150	275	236	210	77	210	180	13	65	32	40	5	206	11	83	192	94	
315A-400A/3	432	240	297	180	275	236	275	77	275	180	13	65	32	40	5	206	11	83	192	94	
500A-630A/3	372	240	297	150	275	236	210	77	210	180	13	65	32	40	6	206	11	83	192	94	
500A-630A/4	432	240	297	180	275	236	275	77	275	180	13	65	32	40	6	206	11	83	192	94	

RDGLZ Series (Changeover)

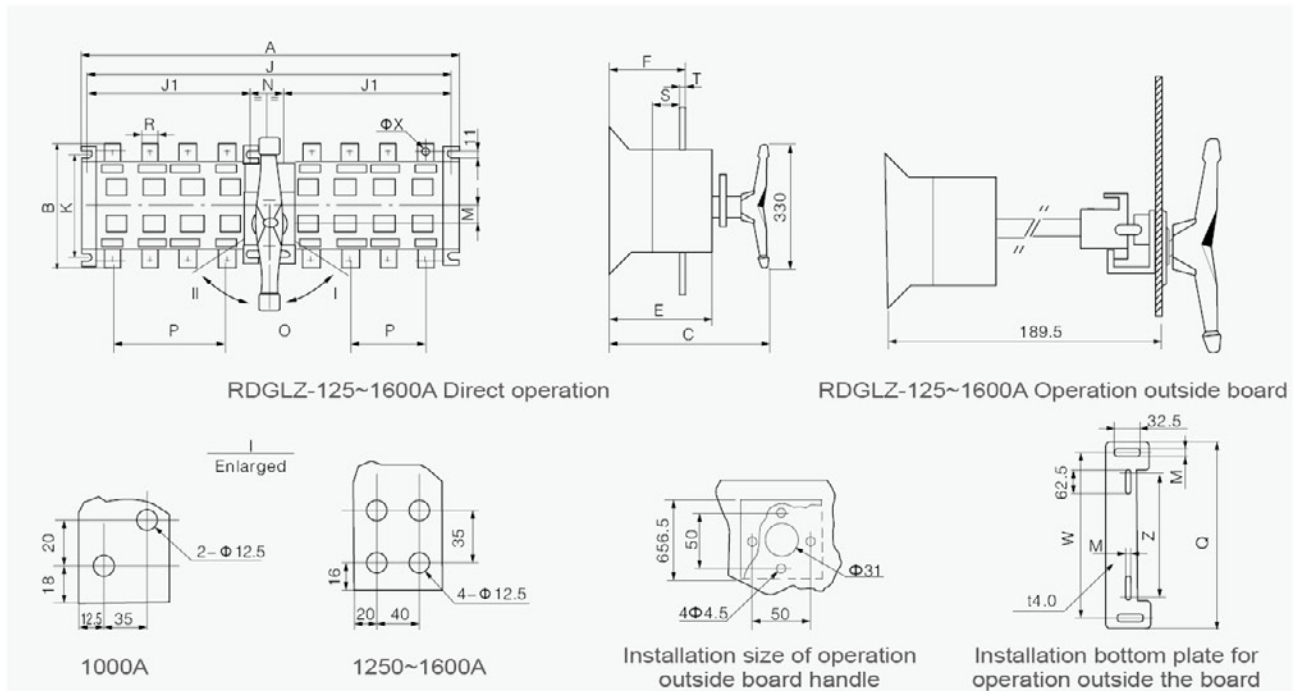
RDGLZ-2000-3150A Overall And Mounting Size Of Changeover Load Isolation Switch



Specification	Overall and mounting dimensions																			
	A	B	C	D	D1	E	J	J1	J2	K	P	R	S	T	ΦX	Y	Y1	Y2	Y3	
RDGLZ-1000~3150A																				
1000A/3	638	312	374	229	340	302	355	108.5	355	220	120	60	56	8	12.5	99	243.5			
1000A/4	758	312	374	289	340	302	473	108.5	473	220	120	60	56	8	12.5	99	243.5			
1250A/3	638	338	374	229	340	302	355	108.5	355	220	120	80	69	8	12.5	99	243.5			
1250A/4	758	338	374	289	340	302	473	108.5	473	220	120	80	69	8	12.5	99	243.5			
1600A/3	638	338	374	229	340	302	355	108.5	355	220	120	80	69	10	12.5	99.5	244			
1600A/4	758	338	374	289	340	302	473	108.5	473	220	120	80	69	10	12.5	99.5	244			
2000A/3	576	455	603	603	700	495	347	88	355	220	120	80	127.5	10	12.5	78.5	225.5	309.5	456.5	
2000A/4	696	455	603	603	700	495	467	88	473	220	120	80	127.5	10	12.5	78.5	225.5	309.5	456.5	
2500A/3	576	455	603	603	700	495	347	88	355	220	120	80	127.5	10	12.5	78.5	227.5	309.5	456.5	
2500A/4	696	455	603	603	700	495	467	88	473	220	120	80	127.5	10	12.5	78.5	227.5	309.5	456.5	
3150A/3	576	505	603	603	700	495	347	88	355	220	120	120	152.5	12	12.5	78.5	227.5	309.5	458	
3150A/4	696	505	603	603	700	495	467	88	473	220	120	120	152.5	12	12.5	78.5	227.5	309.5	458	

RDGLZ Series (Changeover)

RDGLZ-125-1600A Overall And Mounting Size Of Changeover Load Isolation Switch



Specification	Overall and mounting dimensions																	
	A	B	C	E	F	J	J1	K	M	N	P	Q	R	S	T	W	Z	
RDGLZ-125~1600A																		
125-160A/3	319	85	141	89	24	299	120	65	6.5	59	36	244	20	25	3.5	216	95	
125-160A/4	379	85	141	89	24	359	150	65	6.5	59	36	244	20	25	3.5	216	95	
200-250A/3	405	110	146	101	25	385	160	90	6.5	65	50	244	25	30	3.5	216	116	
200-250A/4	505	110	146	101	25	485	210	90	6.5	65	50	244	25	30	3.5	216	116	
315-400A/3	535	160	191	126	37	515	210	140	8.5	95	65	311	32	40	5	280	180	
315-400A/4	655	160	191	126	37	515	210	140	8.5	95	65	311	32	40	5	280	180	
500-630A/3	535	160	191	126	37.5	515	210	140	8.5	95	65	311	40	50	6	280	180	
500-630A/4	655	160	191	126	37.5	515	210	140	8.5	95	65	311	40	50	6	280	180	
1000A/3	863	200	272	163	48.5	811	355	220	8.5	105	120	311	60	56	8	280	180	
1000A/4	1072	200	272	163	48.5	1051	473	220	8.5	105	120	311	60	56	8	280	180	
1250A/3	836	200	272	163	48.5	811	355	220	8.5	105	120	311	80	69	8	280	180	
1250A/4	1072	200	272	163	48.5	1051	473	220	8.5	105	120	311	80	69	8	280	180	
1600A/3	836	200	272	163	49.5	811	355	220	8.5	105	120	311	80	69	10	280	180	
1600A/4	1072	200	272	163	49.5	1051	473	220	8.5	105	120	311	80	69	10	280	180	