

RDGLR Series

RDGLR Series Fuse Group Of Isolation Switch



RDGLR series fuse group of isolation switch (called as switch for short) is a kind of multi-poles manual operation switch, adopting the glass fiber reinforced unsaturated polyester resin casing, having high dielectric performance, protective capability and safe operation.

The operation mechanism is a spring-accumulating and accelerating instant-release device, which makes instant making and breaking of the double gap contact. It is no relationship with the speed of operation handle.

It is strong humidity and resistant properties.

Model



RD GLR □ A / □ • □ C J □ B □
 ↓ ↓ ↓ ↓ ↓ ↓ ↓ ↓ ↓ ↓ ↓ ↓
 ① ② ③ ④ ⑤ ⑥ ⑦ ⑧ ⑨ ⑩



①	Company Code
②	Load isolation switch code
③	Rated current
④	Number of Pole: 3 poles; 4 poles (poles + on and off neutral pole)
⑤	Rated current for fuse-link
⑥	Side operation, no note for front operation.
⑦	Operation outside board, standard extended shaft 330mm. Mark after J with special requirements, no note for internal operation.
⑧	Auxiliary contact
⑨	Connection at back. Connection in front of board is not marked.
⑩	Form: I modular (160A-400A) II Integrated (400A-630A)

Note: F NC or NO auxiliary contact.

S NC + NO S type auxiliary contact.

U-U type auxiliary contact.

Fuse-Link Specification

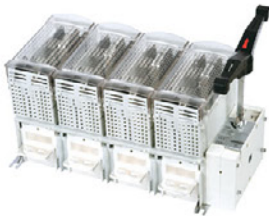
Rated current for fuse group of isolation switch(A)	Rated current for fuse-link(A)	Fuse-link model
63	10, 20, 30, 40, 50, 63	00C
160	63, 80, 100, 125, 160	00
250	160	0
	200, 250	1
400	300, 315, 400	2
630	400, 500, 630	3

RDGLR Series

RDGLR-63A-630A/I Type Fuse Group Of Isolation Switch

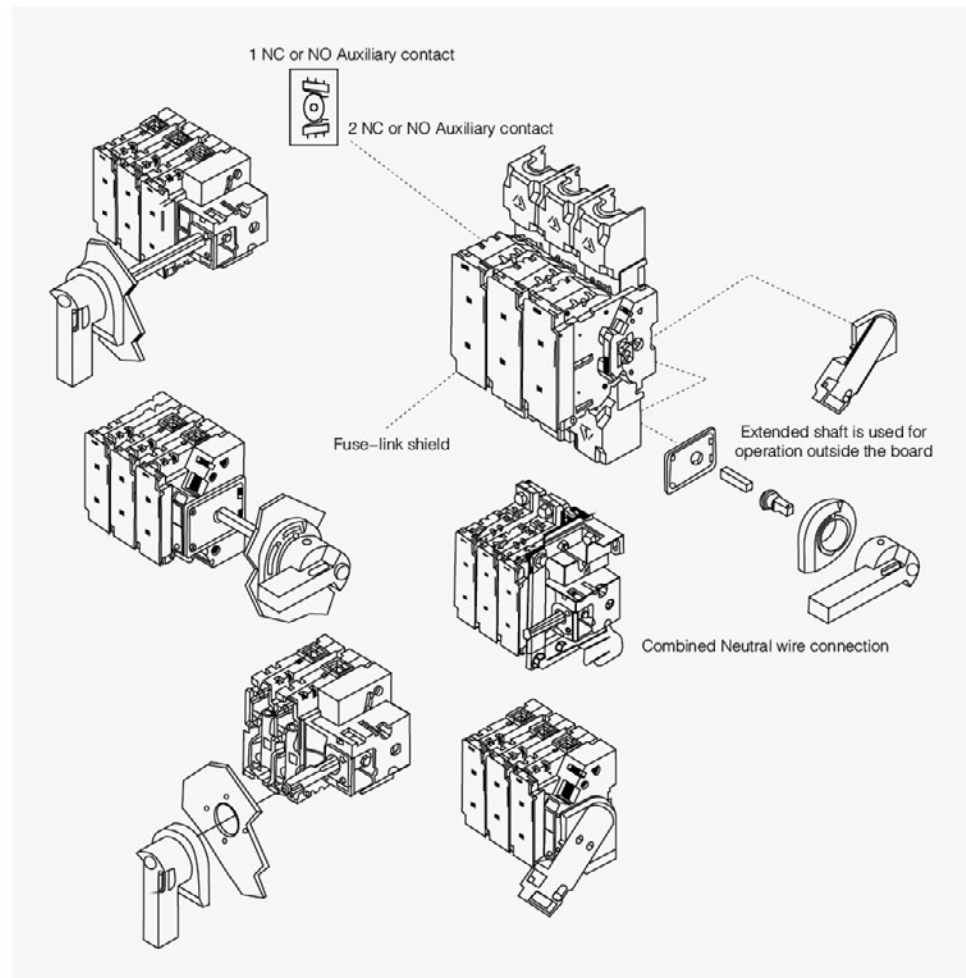
RDGLR-63A type is of modular design structure.

Ensure load making and breaking and reliable over current and short circuit protection. Obviously visible off state. It has 2 poles, 3 poles and 4 poles (3 poles and on and off neutral pole). Total 18 specifications from 63A-630A.



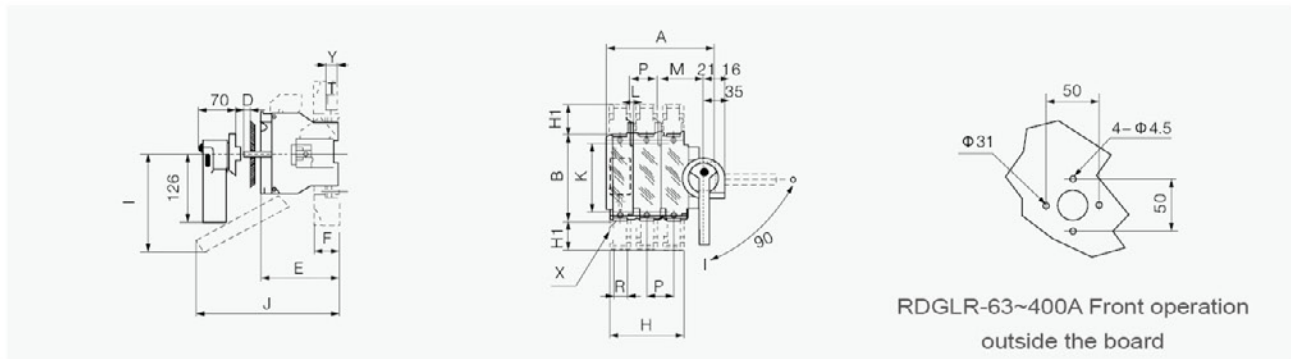
RDGLR Structure And Operation Modes

- Front direct operation: The handle is installed in the front of switch.
- Side direct operation: The handle is installed on the right side of switch.
- Front operation outside the board: The handle is installed in the front of distribution board door.
- Side operation outside the board: The handle is installed on the right side of the distribution board.

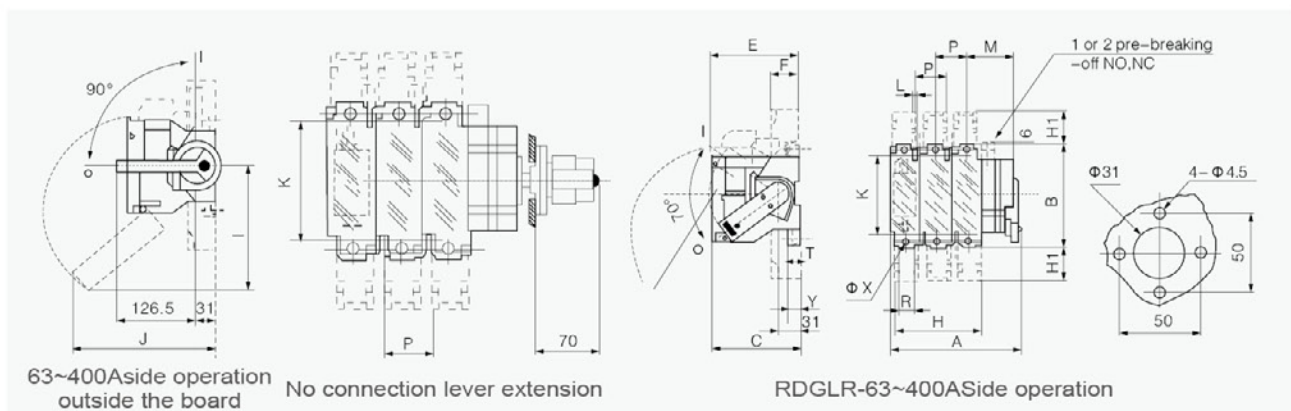


RDGLR Series

RDGLR-63-400AI Overall And Mounting Size Of Fuse Group Of Isolation Switch



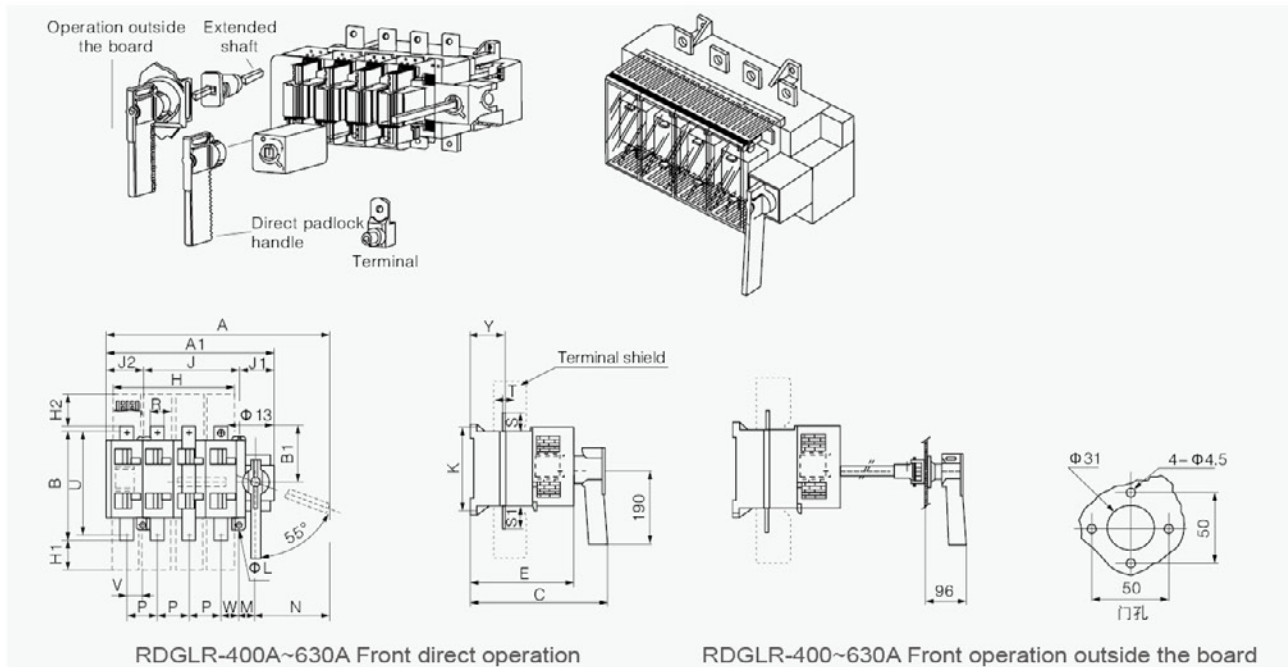
Specification	Fuse-link model	Overall and mounting dimensions																
RDGLR-63-400A		A	B	D	E	F	H	H1	I	J	K	L	M	P	R	T	ΦX	Y
63A/3	0~00C	152	118	20~30	117				159	145	106	5.4	62.5	32				
63A/4	0~00C	184	118	20~30	117				159	145	106	5.4	62.5	32				
160/3	0~00	164	162	28~30	126	44	108	53	141	189	127	5.4	65	36	20	2.5	8.5	19.5
160/4	0~00	200	162	28~30	126	44	144	53	141	189	127	5.4	65	36	20	2.5	8.5	19.5
250/3	1	236	195	28~30	146	65	180	75	185	251	162	6.4	90.5	60	32	2.5	11	19.5
250/4	1	296	195	28~30	146	65	240	75	185	251	162	6.4	90.5	60	32	2.5	11	19.5
400/3	2	278	205	28~30	149	65	192	75	200	260	172	6.4	121	66	50	3	11	20
400/4	2	344	205	28~30	149	65	258	75	200	260	172	6.4	121	66	50	3	11	20



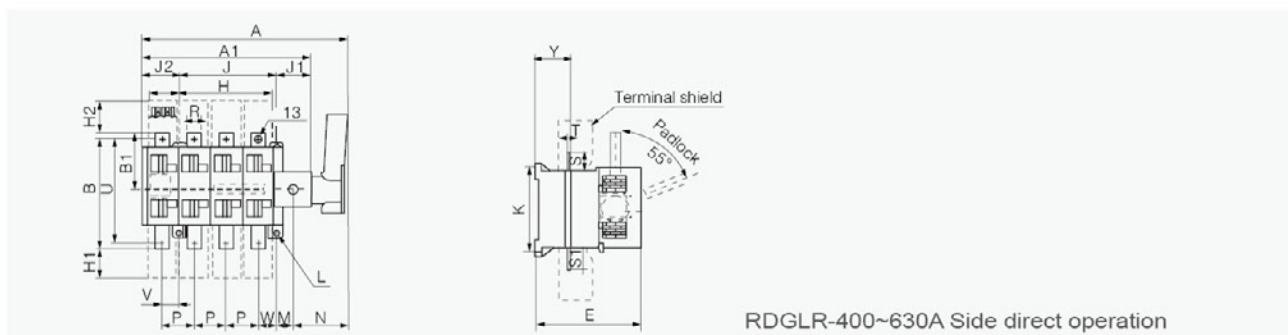
Specification	Fuse-link model	Overall and mounting dimensions																
RDGLR-63-400A		A	B	C	E	F	H	H1	I	J	K	L	M	P	R	T	ΦX	Y
63A/3	0~00C	133	118	134	126.5		116.5		159	145	106	5.4	36	32				
63A/4	0~00C	164	118	117	126.5		116.5		159	145	106	5.4	36	32				
160/3	0~00	150	162	173	126.5	44	108	53	141	189	127	5.4	38	36	20	2.5	8.5	19.5
160/4	0~00	186	162	173	126.5	44	144	53	141	189	127	5.4	38	36	20	2.5	8.5	19.5
250/3	1	253	195	173	146	65	180	75	185	251	162	6.4	81	60	32	2.5	11	19.5
250/4	1	313	195	173	146	65	240	75	185	251	162	6.4	81	60	32	2.5	11	19.5
400/3	2	271	205	173	149	65	192	75	200	260	172	6.4	86	66	50	3	11	20
400/4	2	337	205	173	149	65	250	75	200	260	172	6.4	86	66	50	3	11	20

RDGLR Series

RDGLR-400-630A/I Overall And Mounting Size Of Fuse Group Of Isolation Switch



Specification	Fuse-link model	Overall and mounting dimensions																								
		A	A1	B	B1	C	E	H	H1	H2	J	J2	J1	K	M	N	P	R	S	S1	T	V	U	W	ΦL	Y
RDGLR-400-630A																										
400A/3	2	414	285	238	115	307	221	190	71	79	210	70	65	180	32.5	162	65	32	35	43	5	40.5	208	39.5	7	69
400A/4	2	474	345	238	115	307	221	255	71	79	210	70	65	180	32.5	162	65	32	35	43	5	24.5	208	39.5	7	69
630A/3	3	470	345	300	150	348	268	235	85	85	250	100	76	250	38.5	162	80	50	50	50	7	45.5	260	44.5	9	72
630A/4	3	550	425	300	150	348	268	315	85	85	250	100	76	250	38.5	162	80	50	50	50	7	34.5	260	44.5	9	72



Specification	Fuse-link model	Overall and mounting dimensions																								
		A	A1	B	B1	E	H	H1	H2	J	J2	J1	K	M	N	P	R	S	S1	T	V	U	W	ΦL	Y	
RDGLR-400-630A																										
400A/3	2	500	285	238	115	221	190	71	79	210	70	65	180	32.5	119	65	32	30	43	5	40.5	208	39.5	7	69	
400A/4	2	560	345	238	115	221	255	71	79	210	70	65	180	32.5	119	65	32	30	43	5	24.5	208	39.5	7	69	
630A/3	3	550	345	300	150	268	235	85	85	250	100	76	250	38.5	119	80	50	50	50	7	45.5	260	44.5	9	72	
630A/4	3	630	425	300	150	268	315	85	85	250	100	76	250	38.5	119	80	50	50	50	7	34.5	260	44.5	9	72	